



Power Cord Access



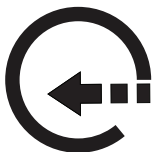
Gas Struts



Ball Bearing Slides



Key Lock



Firm Close Drawers



Edition : 1.0
Date: (12/24)

Instruction Manual

INDUSTRIAL SERIES TOOL CHEST TIS-426

Order Code: (T6852)

TOOL CHEST

INDUSTRIAL SERIES



BEFORE ASSEMBLING

Please read this instruction manual before assembly.



CAUTION

Before assembly please pay attention to the following points in priority;

Confirmation of components: Before assembling, please confirm all parts arrived and are in good order.

Site for assembly: Please assemble it on the soft floor such as smooth carpet and flannel blanket. When you assemble on wooden floor, please put thin towels on the floor.

Points for attention when assembling: Please wear gloves to ensure that it can be assembled safely, and use two persons to help in the assembly process.

SAFETY INFORMATION

1. Persons other than professionals should not disassemble, repair or modify the product.
2. Keep children, infants and pregnant women away from installation places.
3. Center securely within lip on top of roller cabinet.
4. Place on top of matching roller cabinet only.
5. Do not lift while loaded.
6. Do not place objects on top or hang objects off side.
7. Evenly distribute load from bottom up. Uneven loading causes tipping. Be aware of dynamic loading! Sudden movement may briefly create excess load causing tipping.
8. Do not overload and make sure all drawers are closed and locked when moving.
9. Do not open more than one drawer at a time and make sure tools are evenly distributed inside.
10. Do not perform welding, hammering or disassembly work on top plate.



CAUTION: Do not stand on this product. You may fall which may cause personal injury or product damage.



CAUTION: Keep the product on level surfaces. The product may become unstable and tip if stored or moved on an un-level surface, which may cause personal injury or product damage.



CAUTION: Be careful when opening more than one drawer. The product may become unstable and tip, which may cause personal injury or product damage.



CAUTION: Lock the drawers before moving this product. The drawers could come open and make the product unstable and tip, which may cause personal or product damage.



CAUTION: Place tool chest inside inner lip on top of chest or cabinet. Make sure tool chest sits flush on roller cabinet. Only use matching roller cabinet.



CAUTION: Do not lift while loaded. Have assistant help place on roller cabinet while using the correct mechanical lifting aids.



TOOL CHEST

INDUSTRIAL SERIES



SPECIFICATIONS

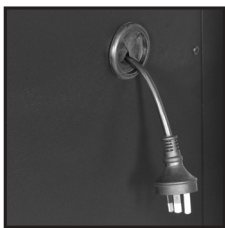
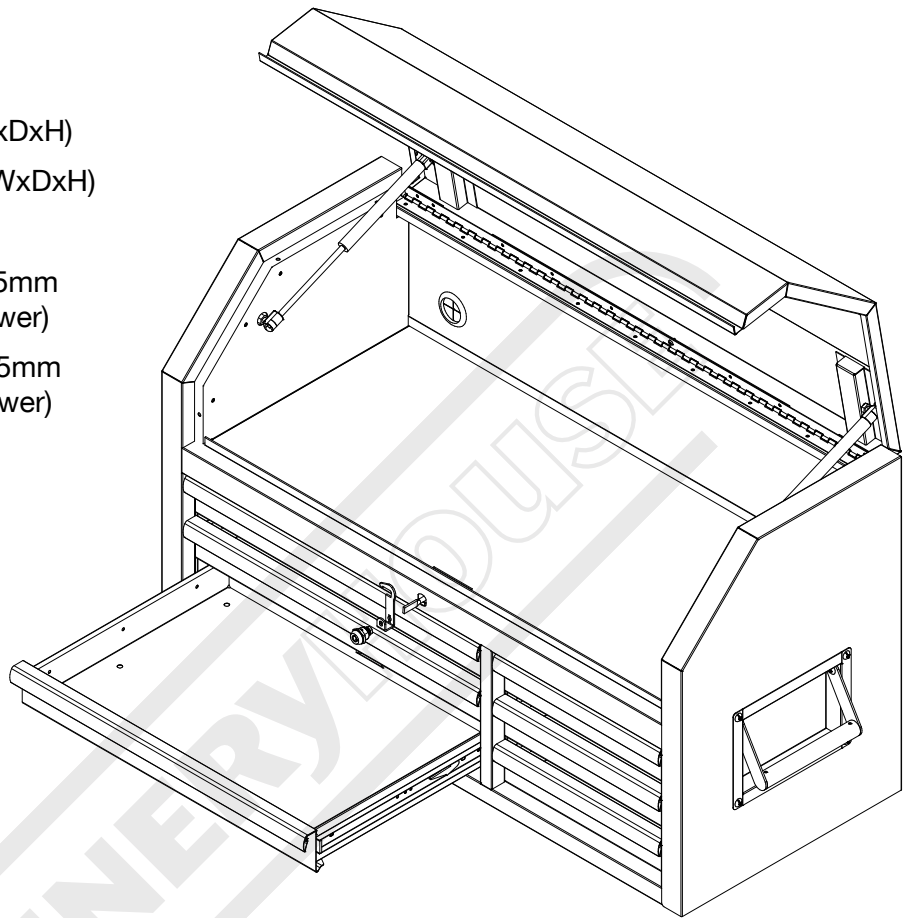
Overall size: 1051 x 445 x 585mm (WxDxH)

Package size: 1130 x 515 x 740mm (WxDxH)

3 drawers (Large LHS): 570 x 406 x 75mm
(30kg Per Drawer)

3 drawers (Small RHS): 313 x 406 x 75mm
(30kg Per Drawer)

Nett Weight: 53kg



Cable Access
Points (x2)



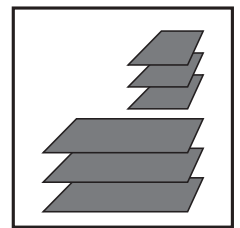
Gas Struts (x2)



Heavy Duty
Handle (x2)



Keys (x2)



Foam Liners (x6)

KEY LOCK OPERATION

LID CLOSED - Key Lock will lock the entire tool chest and drawers

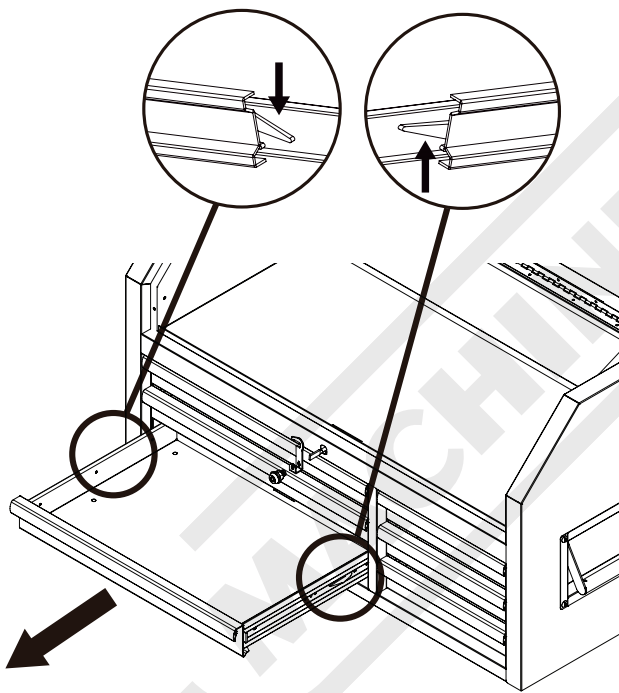
LID OPEN - Drawers can be locked separately with lid in the open position.

OPERATION

1.

Removing the drawers

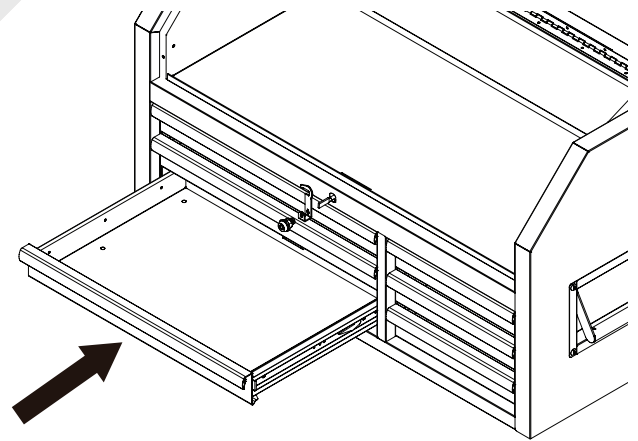
- Fully extend the empty drawer.
- Push up the one release lever while pulling down on the other release lever.
- Pull the drawer outward until it is released from the drawer slide.



2.

Re-inserting the drawers

- Extend the drawer slides.
- Insert the brackets on each side of the drawer into the slots in the slides, being careful that they are properly positioned.
- Once properly inserted, completely close the drawer to set the slides in their proper positions and make sure you go all the way in to engage the firm close drawer system.



MAINTENANCE

1. Drawer maintenance: Lubricate the slides semi-annually with high-quality bearing grease.
2. Periodically tighten all hardware.
3. Lubricate the lock with graphite annually.



ENVIRONMENT PROTECTION

Recycle unwanted materials instead of disposing of them as waste. All tools, accessories and packaging should be sorted, taken to a recycling centre and disposed of in a manner which is compatible with the environment. When the product becomes completely unserviceable and requires disposal, drain any fluids (if applicable) into approved containers and dispose of the product and fluids according to local regulations.

Imported by

HARE & FORBES
MACHINERYHOUSE

Australian Distributor

Hare & Forbes
Machineryhouse
Sydney - Melbourne
Adelaide - Brisbane - Perth

Ph: 1300 202 200
www.machineryhouse.com.au

MACHINERYHOUSE

New Zealand Distributor

Machineryhouse
Auckland
Christchurch

Ph: 0800 142 326
www.machineryhouse.co.nz